

## TILE FAN INSTRUCTION MANUAL

READ AND SAVE THESE INSTRUCTIONS

Suspended Ceilings-Grid Mount Only!

*Patent Pending*

### CAUTION!

All electrical connections must be in accordance with the local codes, ordinances, and the National electrical Code. If you are unfamiliar with methods of electrical wiring, secure the services of a qualified electrician.

1. Be sure electricity is turned off at the main fuse box or circuit breaker panel before wiring.
2. Be cautious! Read all instructions and safety information before installing your new Tile Fan.

### WARNING! TO REDUCE THE RISK OF FIRE, ELECTRIC SHOCK OR INJURY TO PERSONS, OBSERVE THE FOLLOWING;

- a) Use this unit only in the manner intended by the manufacturer. If you have questions contact manufacturer.
- b) Before servicing or cleaning unit, switch power off at service panel and lock the service disconnecting means to prevent power from being switched on accidentally. When the service disconnecting means cannot be locked, securely fasten a prominent warning device, such as a tag to the service panel.

**NOTE:** The important safeguards and instructions appearing in this manual are not meant to cover all possible conditions and situations that may occur. It must be understood that common sense, caution and care are factors which cannot be built into this product. These factors must be supplied by the person(s) installing, caring for and operating the unit.

### WARNING!

1. Installation and wiring should be done by the dealer or authorized person (the installation construction must be done in accordance to the wiring regulations of the country).
2. Never alter the product or its specifications.
3. Do not install the fan on the wall or floor.
4. Operate the Product at the rated voltage and frequency for the country indicated on the name plate.
5. This fan must be grounded.
6. Install this product over 2.5m above the ground.
7. Install this product on the ceiling placing the suction opening downward and install it horizontally.
8. Disconnect power source before working on unit.
9. Do not turn on the fan when inflammable gas leaks are present.
10. Do not install and operate in places with high temperature.
11. Do not install and operate in places with oil fumes.
12. This product is not provided with flexible cord and plug or with other means for disconnection with the supply when connecting or changing cable; it must be replaced by qualified persons in order to avoid a hazard. Please use 227 IEC S3 (RVV) or wire which thickness of tube is 1mm or above. Please use appropriate cable of three wicks, with cross section of  $3 \times 1.5 \text{mm}^2$  or above.
13. Do not install this product exposed to water such as a shower.
14. To avoid electric shock or fire, do not remove the PCB cover.
15. This appliance is not intended for use by persons (including children) with reduced physical sensory or mental capabilities, or lack of experience and knowledge, unless they are given proper supervision or instructions concerning use of appliance by a person responsible for their safety. Children should be supervised to ensure that they do not play with the appliance during maintenance.
16. Not for use in kitchens.
17. This product is not intended for connection to rigid metal conduit.

---

### AVERTISSEMENT !

#### POUR REDUIRE LE RISQUE D'INCENDIE, DE CHOC ÉLECTRIQUE OU BLESSURES, OBSERVER SUIVANT:

1. Utilisez l'appareil uniquement selon les instructions du fabricant. Si vous avez des questions, contactez le fabricant à l'adresse ou le numéro de téléphone, il listé dans la garantie.
2. Avant de réparer ou de nettoyer, coupez le courant au panneau de service et verrouiller service de déconnexion signifie pour éviter une mise en marche accidentelle. Lorsqu'ils ne sont pas possible de verrouiller le dispositif de sectionnement, fixer solidement un signe d'avertissement (Comme une étiquette) dans un endroit visible sur le panneau de service.
3. Un ou plusieurs personnes qualifiées doivent effectuer des travaux d'installation et le câblage électrique, selon toute codes et normes, y compris les codes et les normes de protection spécifiques d'incendie du bâtiment.
4. Lorsque vous coupez ou percez un mur ou un plafond, veillez à ne pas endommager le câblage électrique et les autres services publics cachés.
5. Installez cet appareil uniquement sur un plafond plat.
6. Pour une utilisation uniquement dans des installations sans résistance au feu.
7. Ne pas utiliser des espaces pour traiter l'air ambiant.
8. Cet appareil doit être mis à la terre.

## Tile Fan Installation

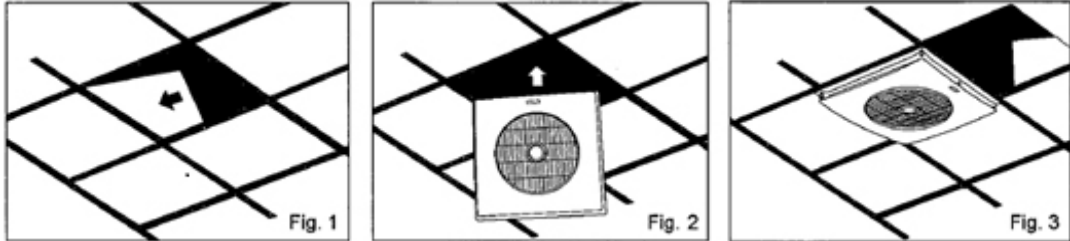
**WARNING! TO REDUCE THE RISK OF FIRE, ELECTRIC SHOCK OR INJURY TO PERSONS, OBSERVE THE FOLLOWING;**

- Installation work and electrical wiring must be done by qualified person(s) in accordance with all applicable codes and standards, including fire rated construction.
- Sufficient air is needed for proper combustion and exhausting of gases through the flue (chimney) of fuel burning equipment to prevent back drafting. Follow the heating equipment manufacturer's guideline and safety standards such as those published by the National Fire Protection Association (NFPA), and the American Society for Heating, Refrigeration and Air Conditioning Engineers (ASHRAE), and the local code authorities. When cutting or drilling into wall or ceiling, do not damage electrical wiring and other hidden utilities.
- Follow the heating equipment manufacturer's guideline and safety standards such as those published by the National Fire Protection Association (NFPA), and the American Society for Heating, Refrigeration and Air Conditioning Engineers (ASHRAE), and the local code authorities.

**Step1.** (Fig. 1) Choose the location for the Tile Fan taking into consideration a minimum of 8" depth clearance.

**Step2.** (Fig. 2) Remove the ceiling tile where the Tile Fan will be installed and a second ceiling tile next to it for access to ceiling.

**Step3.** (Fig. 3) Lift and shift Tile Fan onto the framework grid. Make sure Tile Fan rests securely on framework.

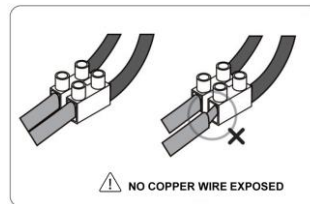


## Electrical Connections

**WARNING** Risk of Fire: Supply conductors (power wires) connecting the Tile Fan must be rated minimum of 90°C. If uncertain, consult an electrician.

Risk of Electric Shock: Disconnect the power at the fuse or circuit breaker before installing or servicing.

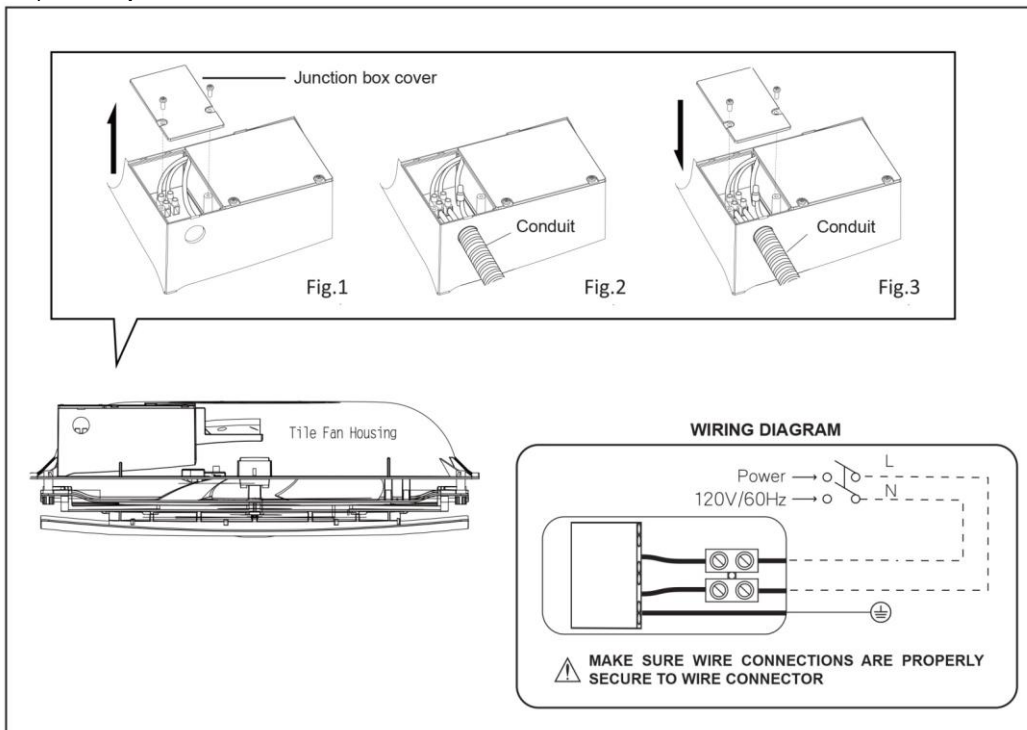
Make certain no bare wires are exposed outside the wire connectors.



**Step1.** (Fig. 1) Remove the junction box cover from Tile Fan. **Step2.** (Fig. 2) Secure conduit or stress relief to junction box knockout hole.

**Step3.** (Fig.3) Refer to wiring diagram below; Follow all the local electrical safety codes as well as the National Electrical Code (NEC).

Replace the junction box cover.



Test Tile Fan to make sure installation was done correctly before replacing access ceiling tile previously removed.

## Remote Control Operation

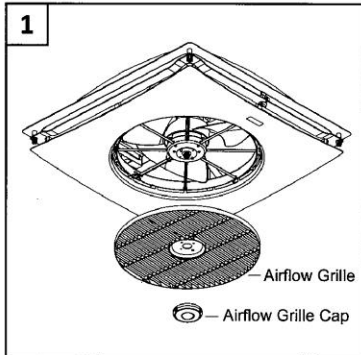
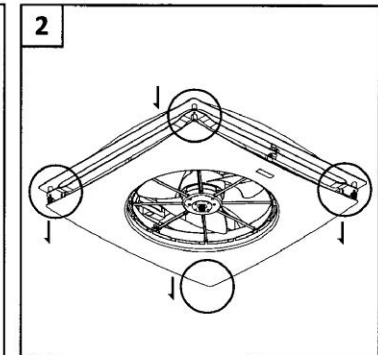
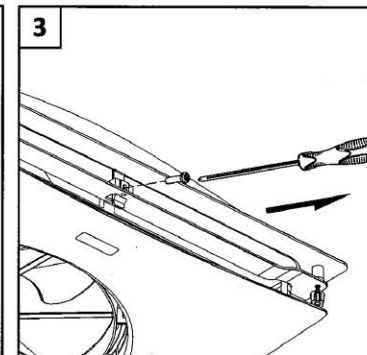
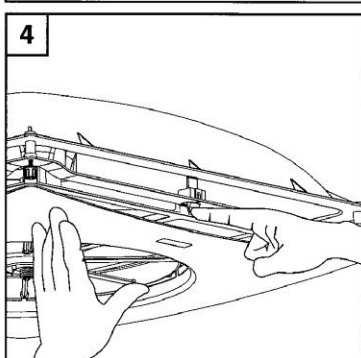
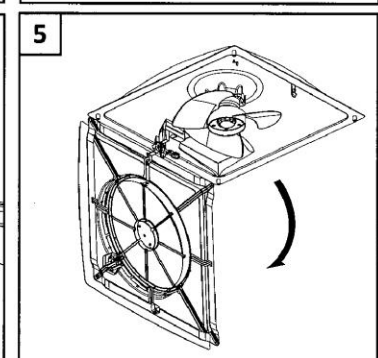
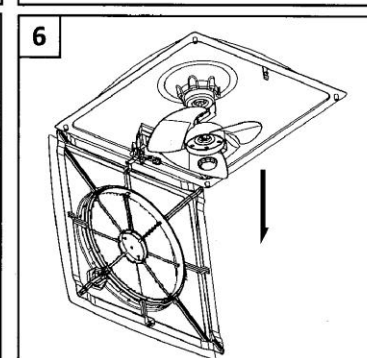
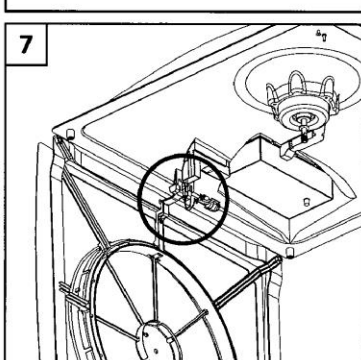
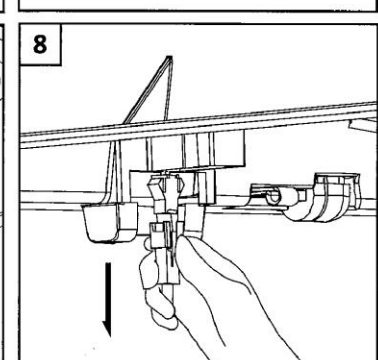
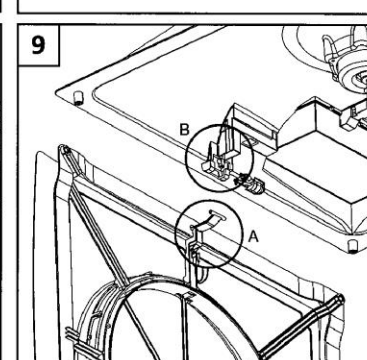
- TO TURN THE FAN "On"  
press any of the speed buttons  
"HI-MED-LOW".

- TO TURN THE AIRFLOW GRILLE On or Off  
press "AIRFLOW".

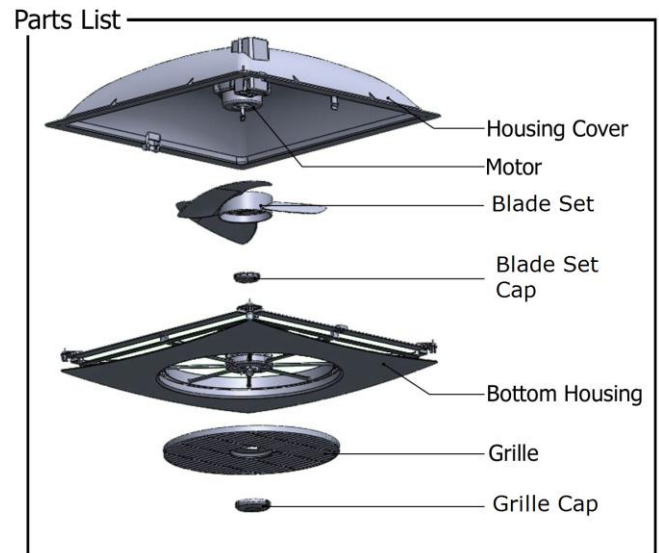
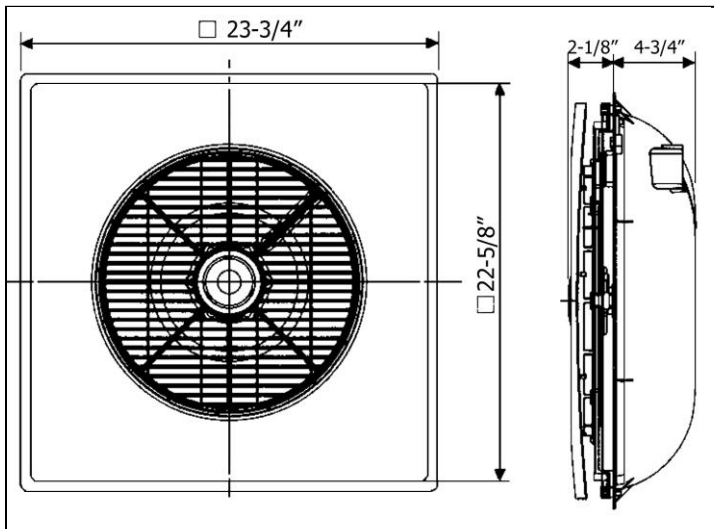
- TO TURN THE FAN OR GRILLE OFF  
press "FAN OFF"

## Cleaning

**CAUTION!** Be sure electricity is turned off at the main fuse box or circuit breaker panel before cleaning.

<p><b>1</b></p>  <p>Turn the Airflow Grille Cap clockwise to remove the Airflow Grille</p>	<p><b>2</b></p>  <p>Unscrew (by hand) the four thumb screws located on the corners of the fan. The thumb screws do not come off, they remain secured to the fan by the plastic washers.</p>	<p><b>3</b></p>  <p>Use a Phillips screw driver to remove the screw from the safety bracket.</p>
<p><b>4</b></p>  <p>Disengage the safety bracket by supporting the bottom housing with one hand while using the other to press the safety bracket.</p>	<p><b>5</b></p>  <p>Gently allow the bottom housing to hang from the assembly connection on the opposite side.</p>	<p><b>6</b></p>  <p>Turn the Blade Set Cap clockwise to remove the Blade Set</p>
<p><b>7</b></p>  <p>Bottom of Fig. 8.</p>	<p><b>8</b></p>  <p>Disengage the connector by pressing on the thumb lock and gently pulling down.</p>	<p><b>9</b></p>  <p>Gently push bottom housing upwards and disengage the pin bar "A" from the pin bar "B".</p>

## Specifications and Warranty information



For questions or additional information about your Tile Fan please write to:

**ALASKA ELECTRIC CORP.**  
2904 Columbia St Torrance, CA 90503

[alaskaelectric@att.net](mailto:alaskaelectric@att.net)

For customer assistance call:  
Ph.: (310) 320.6980

SPECIFICATIONS: (for Models SA-398 & SA-398R-A)				
SPEED	NOISE (dB)	WATTS	VOLTS	N.W.
High	58	47	AC120	11.7lbs
Med	50	36		
Low	39	26		



### Limited Warranty

This Item is warranted to be free from defects in materials or workmanship for a period of one (1) year from the original date of purchase under normal use. Within the warranty period, we will repair or replace the product at our discretion. This warranty extends only to the original retail purchaser, and excludes any damage to the product resulting from accident or misuse. This product is not covered, when used in a commercial environment, for which it was not intended.

The above warranty is complete and exclusive. The warrantor expressly disclaims liability for any special, incidental, indirect, or consequential damages in connection with the purchase or use of this product or costs over the original purchase price.

Any implied warranties arising by operation of law shall be limited in duration to the terms of this warranty.

This warranty gives you specific legal rights and you may have other rights, which vary by jurisdiction.